



Product Data Sheet

Bearing Journal Lubrication Station

Model BJL-100

smtgroup.com

(518) 462-5431



BJL-100 integrated with BMP-070 Bearing Mount Press

The **Simmons BJL-100 Bearing Journal Lubrication Station** automatically applies bearing mounting lubricant and rust inhibitor to the bearing journal and dust guard fillet of railway wheel sets. The station's controls and utilities are shared with a nearby **Simmons BMP-070 Bearing Mount Press** to ensure that both lubrication and mounting occur as one process to prevent drying of the lubricant. Wheel sets enter the BJL-100 and are presented to a set of spray nozzles; the wheel set spins under these nozzles as they apply the lubricant and rust inhibitor. Once they are applied, the wheel set is transferred to the bearing mount press. This process will not begin until the press has signaled that it is ready for the next wheel set. The BJL-100 is capable of lubricating railway wheel sets of varying diameters. It is a fully automated station that is interlocked with an escapement to transfer the wheel set to the Bearing Mount Press.

The lubricant nozzles are designed to prevent clogging and use air pressure to apply the lubricant to the bearing journal surface. Spraying occurs at a low pressure, virtually eliminating overspray and mist.





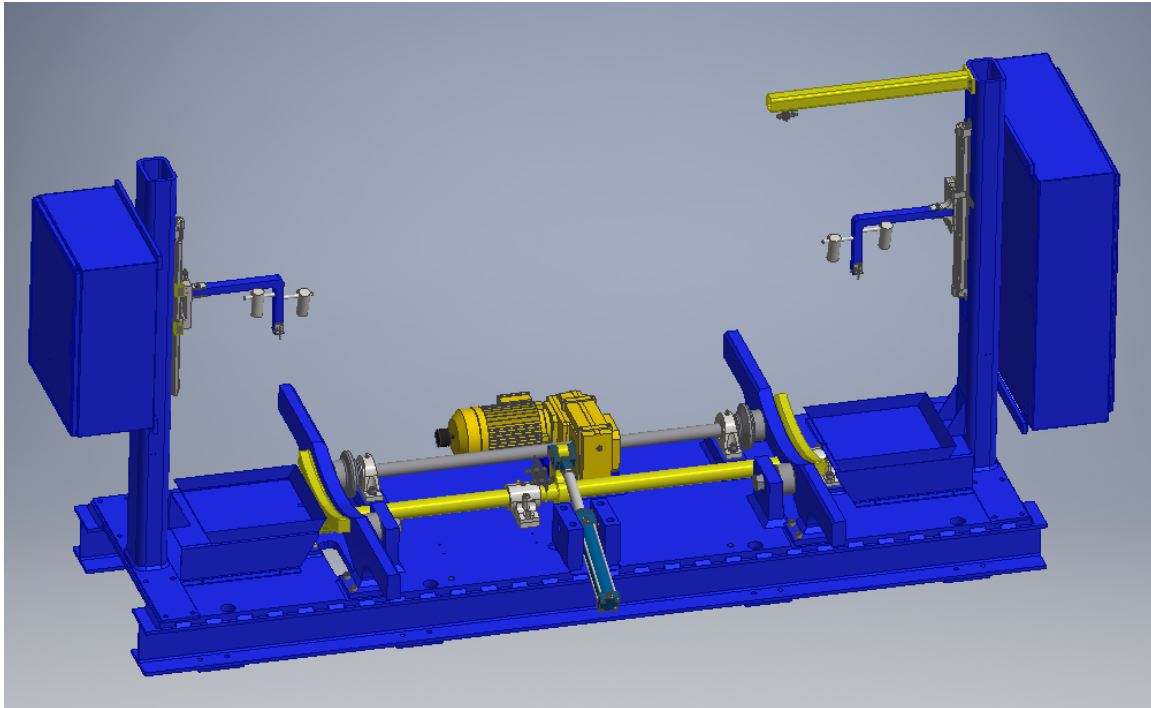
Product Data Sheet

Bearing Journal Lubrication Station

Model B JL-100

smtgroup.com

(518) 462-5431



Machine Dimensions

Length	137.5 in.	3493 mm
Width	50 in.	1270 mm
Height	64 in.	1629 mm
Total Weight	3306 lbs.	1500 kg

General Specifications

Cycle Time	Under 1 minute
------------	----------------

Utility Requirements

Electrical Power	2.4 kW	
Compressed Air	65 psi @ 53 scfm	4.5 bar @ 1500 slpm
Spray Pressure	5-15 psi	0.3-1.03 bar

Wheel Set Dimensions

Maximum Wheel Diameter	42 in.	1067 mm
Minimum Wheel Diameter	28 in.	711 mm
Maximum Axle Length	90 in.	2286 mm
Maximum Weight	4000 lbs.	1820 kg

Updated August 28, 2020