



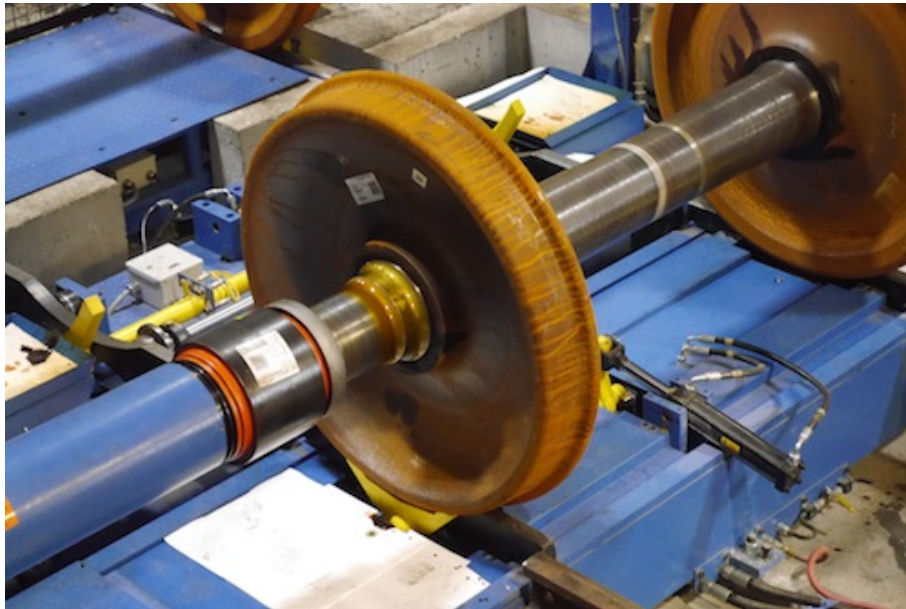
Product Data Sheet Bearing Mount Press Model BMP-070

smtgroup.com
(518) 462-5431



The **Simmons BMP-070 Bearing Mount Press** automatically aligns and presses bearing onto axles at the proper tonnage. An integrated measuring system can be included to compensate for various wheel diameters to maintain proper center location. Mounting tonnage is controlled hydraulically by pressure control to assure bearings are not damaged by excessive force while mounting. Wheel sets roll into the press on customer shop rails and are captured on the press centerline. The bearings are placed on a mandrel, which is mechanically aligned with the bearing mounting tool for various bearing configurations. The bearings are then pressed into place and set at the manufacturer's recommended tonnage. After the mounting operation is complete, the wheel set is escaped at the rear of the machine via the customer shop rail system. Tooling is supplied per customer product specification.

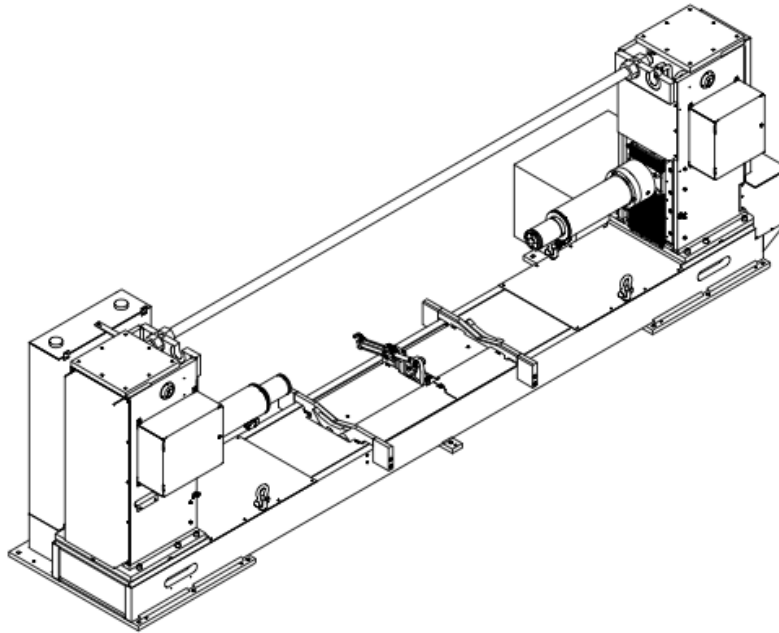
The press can be supplied for fully automatic or semi-automatic operation, depending on the customer's production requirement. There is also an optional Bearing Press Recorder available, which automatically captures the mount force versus distance graph and store that data along with wheel set information entered by the operator.





Product Data Sheet Bearing Mount Press Model BMP-070

smtgroup.com
(518) 462-5431



Machine Dimensions

Length	266 in.	6746 mm
Width	65 in.	1659 mm
Height	79.5 in.	2018 mm
Total Weight	21000 lbs.	9500 kg
Ram Press Stroke	17 in.	432 mm

General Specifications

Cycle Time	1 minute (excluding bearing handling)	
Bearing Size	All AAR Bearing Sizes	
Maximum Operating Force	70 tons	63.5 metric tons

Utility Requirements

Electrical Power	32 kW	
Hydraulic Reservoir	60 US gallons	227 liters

Wheel Set Dimensions

Maximum Wheel Diameter	42 in.	1066 mm
Minimum Wheel Diameter	28 in.	700 mm
Maximum Axle Length	102 in.	2591 mm

Updated August 28, 2020