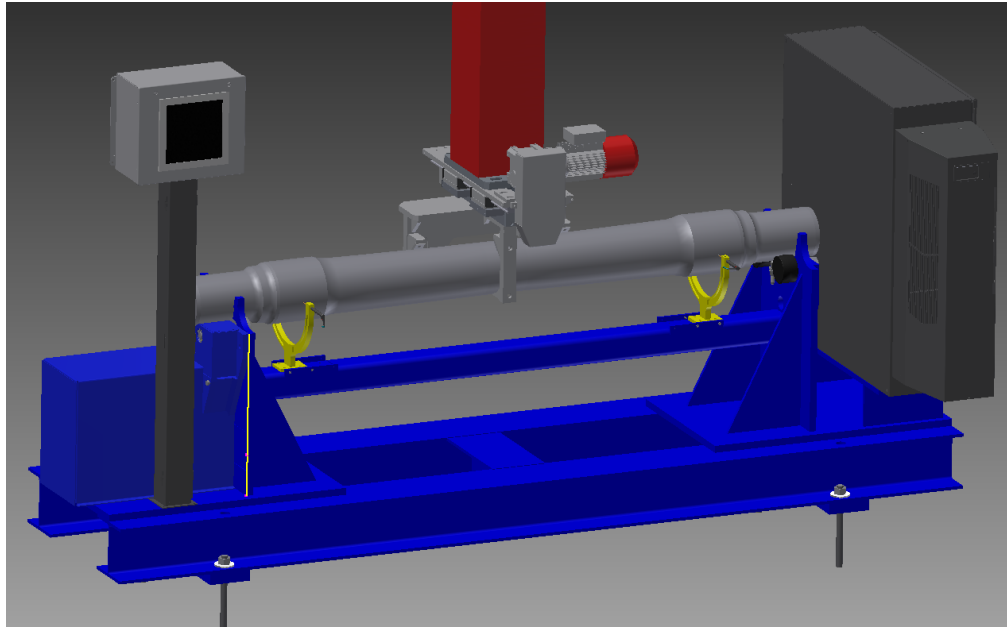


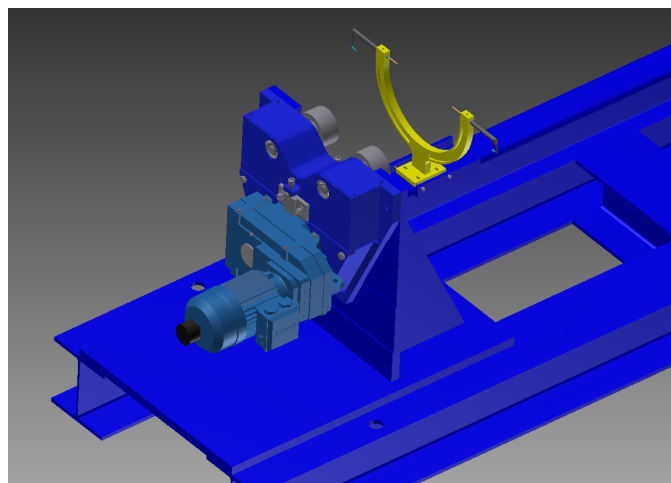
Simmons AXM-210 Axle Measurement System Data Sheet



AXM-210 with optional overhead axle gantry

The **Simmons AXM-210 Axle Measurement System** automatically measures the wheel seat diameter and taper of a railway axle to provide data to the wheel boring machine(s) when cutting wheel bores for making a wheel set. The machine eliminates the chance of human errors and closes the feedback loop in the automated mount cell process. It measures the diameter of both wheel seats simultaneously, producing a maximum cycle time of two minutes (excluding axle loading and unloading).

The AXM-210 can also function as a standalone machine and the measurement results can be stored to a database hosted locally on the machine or hosted remotely on the customer's server.





Machine Dimensions

Length	130 in.	3313 mm
Width (With Panel)	52 in.	1313 mm
Height	73 in.	1842 mm
Weight	6500 lbs.	2948 kg

Measurements Taken

Diameter	+/- 0.0001 in.	+/- 0.0025 mm
Taper	+/- 0.0002 in.	+/- 0.005 mm
Total Indicated Runout	+/- 0.0010 in.	+/- 0.025 mm

Utility Requirements

Electrical Power	22 kW
Compressed Air	1 scfm @ 80 psi

Wheel Set Dimensions

Maximum Wheel Seat Diameter	10.1 in.	257 mm
Minimum Wheel Seat Diameter	5.1 in.	129 mm
Maximum Axle Length	102 in.	2591 mm
Minimum Axle Length	60 in.	1524 mm
Maximum Weight	2000 lbs.	909 kg

Updated November 17, 2021